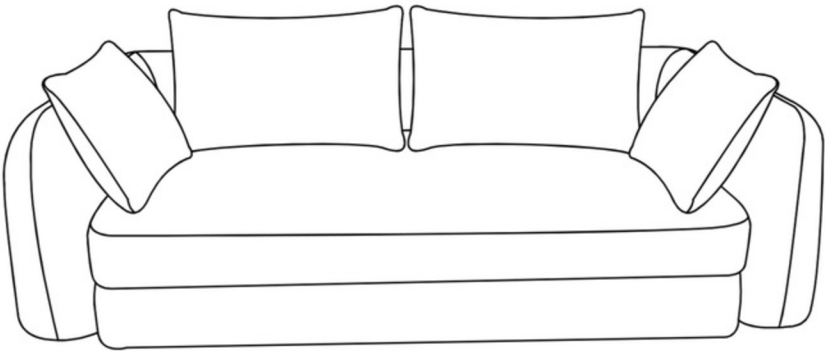


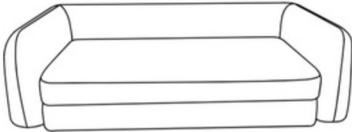


SimpelHaus



SUNDAY SOFA BED



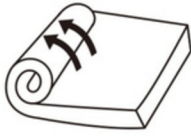
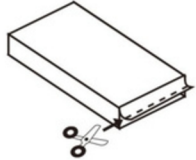
UNBOXING & SETUP GUIDE

What's Included

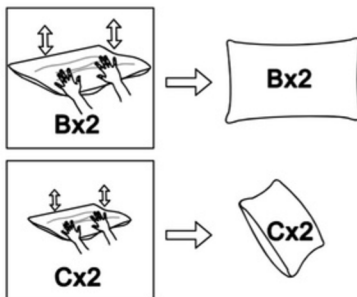
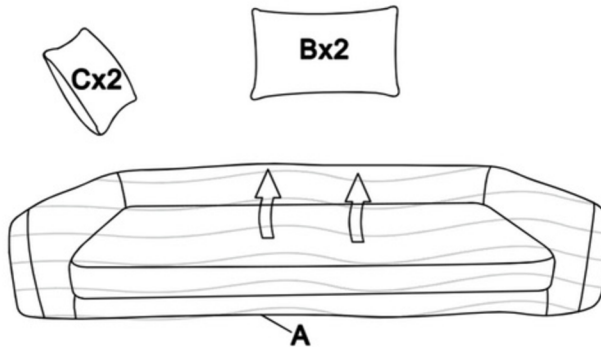
NUMBER	COMPONENT	QUANTITY
A	 A line drawing of a sofa with a curved backrest and armrests.	1PC
B	 A line drawing of a rectangular pillow.	2PC
C	 A line drawing of a wedge-shaped pillow.	2PC

Unboxing & Setup Guide

① Unpack the sofa modules and cushions.

<p>1</p>  <p>Remove from box</p>	<p>2</p>  <p>Cut outer white wrapper</p>	<p>3</p>  <p>Unroll the sofa</p>	<p>4</p>  <p>Remove plastic</p>
--	---	---	---

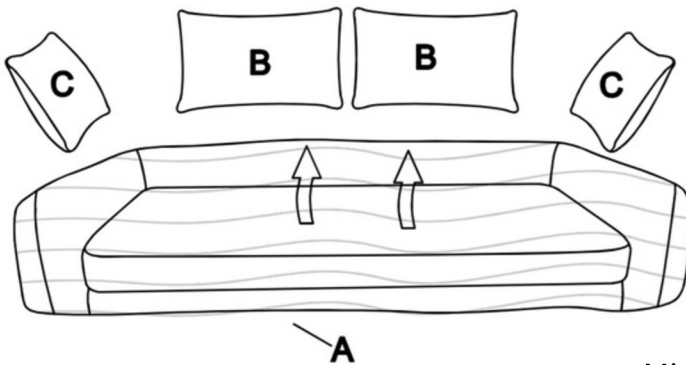
Box. 1



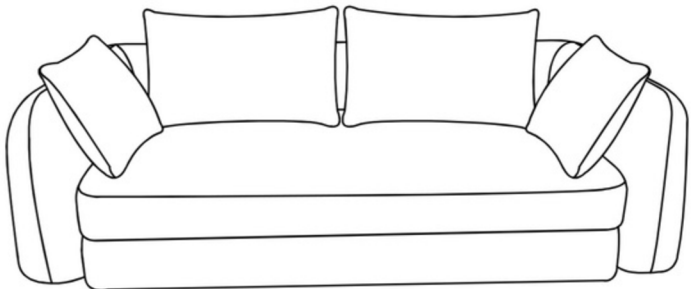
Fluff and pat the cushions evenly to help restore their shape.

Unboxing & Setup Guide

- ② Allow the sofa to fully expand and regain its shape.



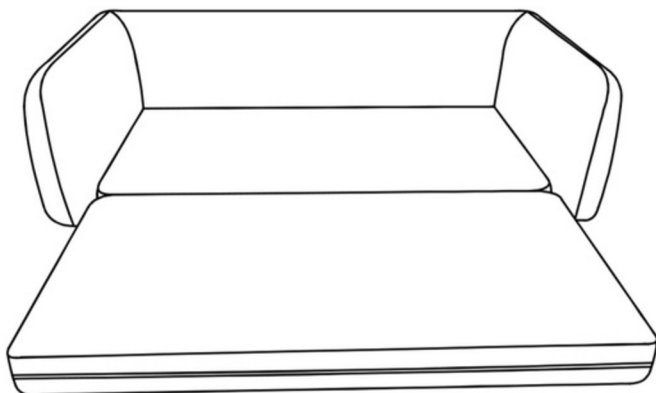
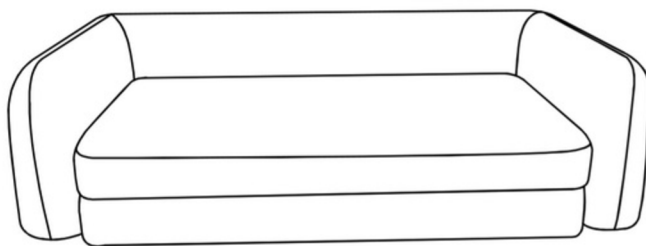
Minor wrinkles and variations are normal during expansion.



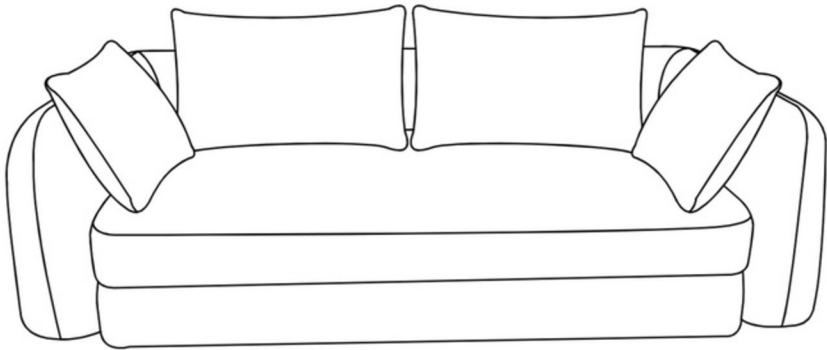
Your sofa may take up to 72 hours to fully expand.

Unboxing & Setup Guide

- 3 Unfold the cushion to create a sofa bed.



Unboxing & Setup Guide



Enjoy your space with SimpelHaus.